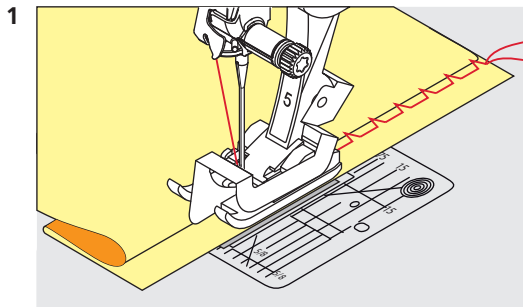
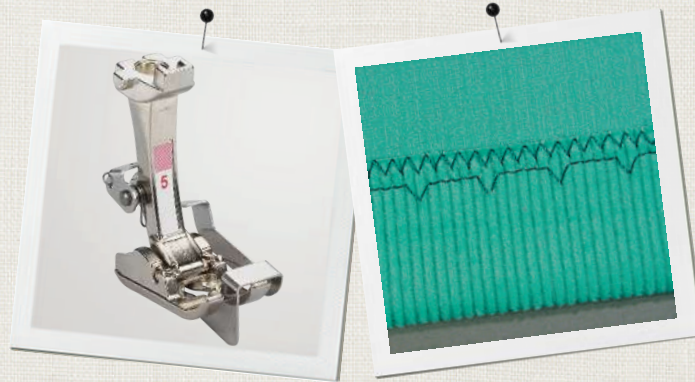


Blindstitch Foot

#5

Gamma Kappa
Machine 5.5 | 9 mm



Information

Purpose

- For sewing blind-stitch hems.
- For stitching edges guided on the left side of the presser foot.

For your safety

Before using this accessory, please read the instruction manual at hand as well as the instruction manual of your machine carefully.

Application

Sewing blind hems

- > Select blindstitch.
- > Set the stitch width to around 2.5.
- > Set the stitch length to around 2.5.
- > Set the needle position to half right.
- > Fold the fabric back over the right side of the fabric to expose the overcast edge.
- > Place the fabric under the presser foot and move the folded edge against the metal guide on the presser foot.
- > Guide the folded edge evenly along the metal guide of the presser foot to sew the stitches evenly deep.
 - Make sure that the needle only pierces the edge of the fold.
- > After sewing about 10 cm, check both sides of the fabric and adjust the width again if necessary. (Fig. 1)

You can find further information at:
www.bernina.com